

OVALR WHEEL METER

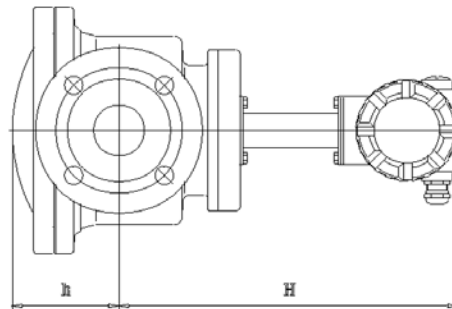
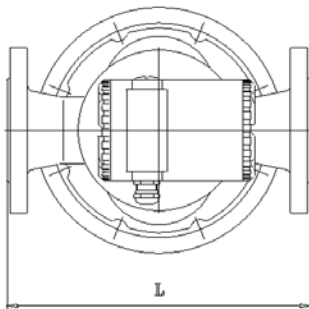
SERIES OI UST

WITH UNIVERSAL SMART TRANSMITTER . HART®-COMMUNICATION

DIMENSIONS

OI 03	OI 06	OI 1	OI 2	OI 5	OI 10	OI 50	OI 100	OI 200	OI 400
L=170 (Flange)	L=170 (Flange)	L=170	L=220	L=220	L=220	L=300 (DIN) L=330 (ANSI).	L=370 (DIN, ANSI 150) L=390 (ANSI 300)	L=450 (DIN, ANSI 150) L=470 (ANSI 300)	L=550 (DIN, ANSI 150) L=560 (ANSI 300)
				h=52	h=71	h=106	h=148	h=145	h=183
H=225	H=258	H=264	H=266	H=318	H=320	H=338	H=385	H=402	H=438

Dimensions in mm

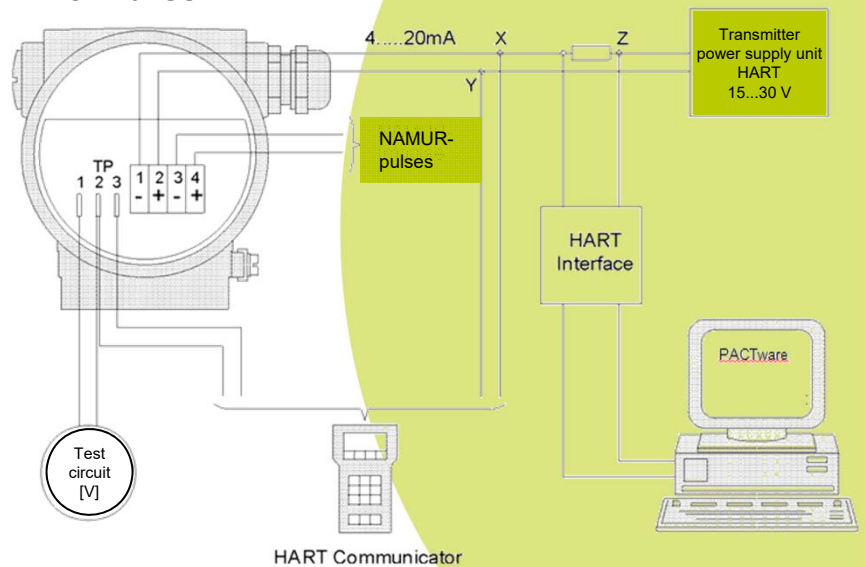


CONNECTION

Smart Transmitter UST:

- with a high-resolution sensor system without moving parts
- in 2 - wire - technology
- 4 - 20 mA - output or current pulses and pulse output according to NAMUR
- with local display
- user-friendly and easy to operate by special software (PACTware)
- with HART® protocol
- Operation via hand held terminal possible

OI with UST



Bopp & Reuther Messtechnik GmbH
Post Box 1709, 67327 Speyer
Am Neuen Rheinhafen 4, 67346 Speyer / Germany
Phone: +49 6232 657-0, Fax: +49 6232 657-505
www.bopp-reuther.de , info@bopp-reuther.de

Edition October 2018
Subject to modification